

Maritime explosion-proof light fittings

This chapter introduces Ex light fittings that used for lighting on marine engineering oil and gas drilling platforms, FPSO ships, LNG ships and dock; Can reliably work in severe environment where is easily affected by moisture, vibration, or corrosion.



BAD61

2/073

系列防爆灯(IIC)
Series Explosion-proof Light Fittings



BDD91

2/077

系列防爆灯(IIC)
Series Explosion-proof Light Fittings



BnD81

2/081

系列"n"型防爆灯(nR)
Series Explosion-proof "n" Type Light Fittings



BAD85-M

2/085

系列防爆高效节能LED灯(IIC)
Series Explosion-proof Efficient And
Energy-saving LED Lamps



BAX81

2/089

系列防爆灯(IIC)
Series Explosion-proof Light Fittings



BAX85

2/091

系列防爆LED灯(IIC)
Series Explosion-proof LED Lamps

BAD61 系列防爆灯(IIC)

BAD61 Series Explosion-proof Light Fittings

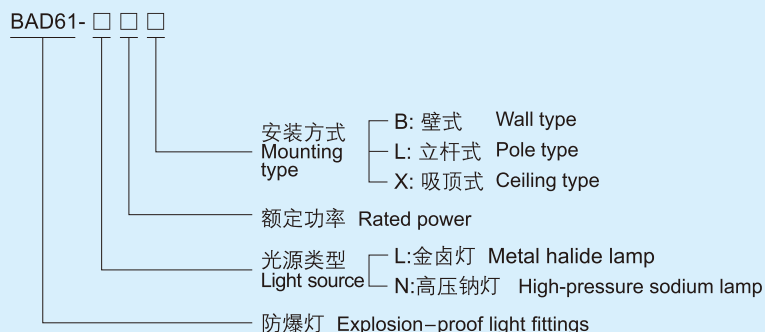


2

应用场所 Application

- ◆ 广泛应用于海洋工程各类作业平台、各类化学品、天然气运输船、危险品码头等危险区域作工作及场景照明之用；
- ◆ 可在潮湿、振动、腐蚀等恶劣环境中可靠工作；
- ◆ 适用于爆炸性危险环境1区、2区、20区、21区、22区等场所。
- ◆ Widely used for lighting on platforms, various types of chemical and natural gas carriers, terminals, dangerous goods docks, etc.;
- ◆ Can reliably work in severe environment where is easily affected by moisture, vibration, or corrosion;
- ◆ Explosive hazardous atmosphere zone 1, zone 2, zone 20, zone 21, zone 22.

型号含义 Catalogue Number Logic



产品特性 Features

- ◆ 外壳采用海工专用铝合金压铸成型，表面高压静电喷塑；
- ◆ 钢化玻璃透明罩，棱晶防眩光设计；
- ◆ 桔纹漫反射板，反射效率高，光线均匀；
- ◆ 一体式结构，内置电感镇流器，功率因数 $\cos \phi \geq 0.90$ 。
- ◆ Enclosure is of maritime special aluminum alloy, powder coated surface;
- ◆ Toughened glass transparent cover, anti-glare;
- ◆ Orange-peel reflection board, with high reflectivity and uniform light
- ◆ Integrated structure built-in inductive ballast power factor $\cos \phi \geq 0.90$



出线套和灯体之间采用无线连接，安装和维修非常方便

Wireless connection between the outlet cover and light body, very easy for installation and maintenance

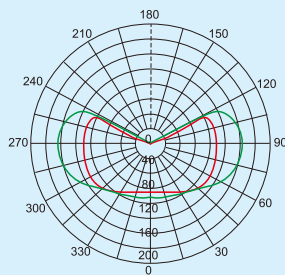
Zones 1&2 ; 20&21&22

技术参数 Technical parameters

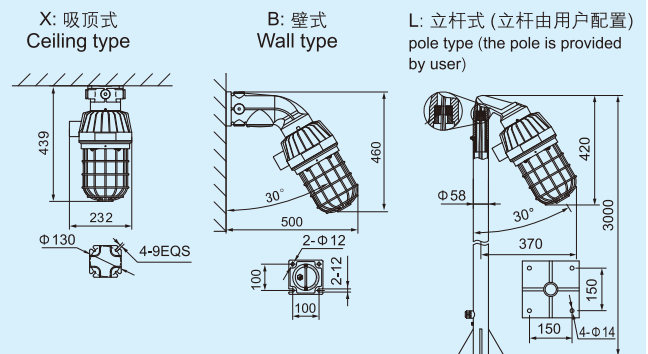
◆ 防爆标志 Ex-Mark	Exd II CT4 Gb / DIP A20 TA, T4
◆ 执行标准 Compliance	IEC60079 EN60079 GB3836 GB12476 CCS入级规范 (CCS standard)
◆ 额定电压 Rated voltage	220V / 230V AC 50Hz(60Hz请注明 please note)
◆ 温度范围 Temperature range	-25℃~+55℃
◆ 额定功率 Rated power	
光源类型 Light source	金卤灯(L) Metal halide lamp 高压钠灯(N) High-pressure sodium lamp
灯具功率 Power of lamp	70W 100W 150W 70W 100W
◆ 灯座 Lamp holder	E27
◆ 防护等级 Degree of protection	IP66
◆ 防腐等级 Corrosion-proof	WF2
◆ 进线规格 Cable entry	2×M25×1.5
◆ 接线端子 Terminal	3×2.5mm ²

配光性能 Photometric data

cd/1000lm
— c 0 / 180
— c 90 / 270



外形及安装举例 Outline dimension



选配表 Selection table

型号 Model	额定功率(W) Rated power	重量(kg) Weight	型号 Model	额定功率(W) Rated power	重量(kg) Weight
BAD61-L70X	70	6.1	BAD61-L150L	150	8.0
BAD61-L70B	70	7.7	BAD61-N70X	70	6.1
BAD61-L70L	70	6.1	BAD61-N70B	70	7.7
BAD61-L100X	100	6.5	BAD61-N70L	70	6.1
BAD61-L100L	100	6.5	BAD61-N100X	100	6.5
BAD61-L100B	100	8.1	BAD61-N100B	100	8.1
BAD61-L150X	150	8.0	BAD61-N100L	100	6.5
BAD61-L150B	150	9.6			

- ◆ 如需其他安装方式，订货时请注明；
- ◆ 本灯具出厂时不配光源，由用户自配，建议配置飞利浦、欧司朗、亚明品牌；
- ◆ 灯具出厂时配防爆堵头，若用户需要防爆电缆夹紧密接头，请参照P3/173~178页选型。
- ◆ If other mounting types needed, please specify when ordering
- ◆ The light source will be supplied by user, Philips, Osram, Yamin brand are recommended;
- ◆ The light fitting is supplied with Ex plug, if Ex cable gland is needed, please select according page P3/173~178.

BAD61 系列防爆灯(IIC)

BAD61 Series Explosion-proof Light Fittings

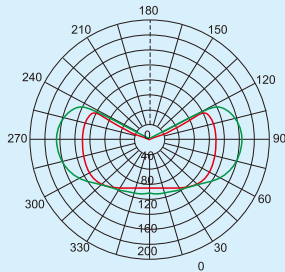
技术参数 Technical parameters

◆ 防爆标志 Ex-Mark	Exd II CT3 Gb / DIP A20 TA, T3	
◆ 执行标准 Compliance	IEC60079 EN60079 GB3836 GB12476 CCS入级规范 (CCS standard)	
◆ 额定电压 Rated voltage	220V / 230V AC 50Hz(60Hz请注明 please note)	
◆ 温度范围 Temperature range	-25°C~+55°C	
◆ 额定功率 Rated power		
光源类型 Light source	金卤灯(L) Metal halide lamp	高压钠灯(N) High-pressure sodium lamp
灯具功率 Power of lamp	250W	150W 250W
◆ 灯座 Lamp holder	E40	
◆ 防护等级 Degree of protection	IP66	
◆ 防腐等级 Corrosion-proof	WF2	
◆ 进线规格 Cable entry	2×M25×1.5	
◆ 接线端子 Terminal	3×2.5mm ²	

配光性能 Photometric data

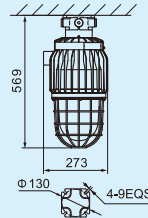
cd/1000lm

— c 0 / 180
— c 90 / 270

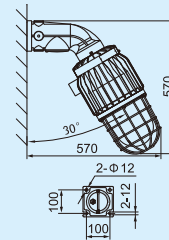


外形及安装举例 Outline dimension

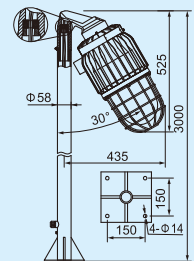
X: 吸顶式
ceiling type



B: 壁式
wall type



L: 立杆式 (立杆由用户配置)
pole type (the pole is provided by user)



选配表 Selection table

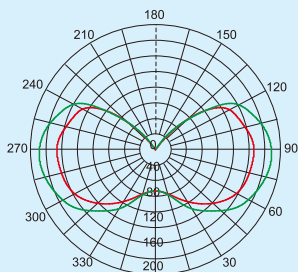
型号 Model	额定功率(W) Rated power	重量(kg) Weight	型号 Model	额定功率(W) Rated power	重量(kg) Weight
BAD61-L250X	250	13.0	BAD61-N150L	150	13.1
BAD61-L250B	250	14.6	BAD61-N250X	250	15.0
BAD61-L250L	250	13.1	BAD61-N250B	250	16.6
BAD61-N150X	150	13.0	BAD61-N250L	250	15.1
BAD61-N150B	150	14.6			

- ◆ 如需其他安装方式, 订货时请注明;
- ◆ 本灯具出厂时不配光源, 由用户自配, 建议配置飞利浦、欧司朗、亚明品牌, 金卤灯250W需配置欧标光源;
- ◆ 灯具出厂时配防爆堵头, 若用户需要防爆电缆夹紧密接头, 请参照P3/173~178页选型。
- ◆ If other mounting types needed, please specify when ordering;
- ◆ The light source will be supplied by user, Philips, Osram, Yamin brand are recommended, metal halide lamp 250W should be provided with light source compliance with European standard;
- ◆ The light fitting is supplied with Ex plug, if Ex cable gland is needed, please select according page P3/173~178.

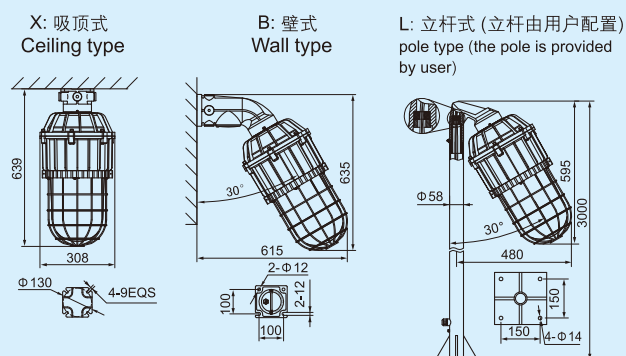
技术参数 Technical parameters

◆ 防爆标志 Ex-Mark	Exd II CT3 Gb / DIP A20 TA, T3
◆ 执行标准 Compliance	IEC60079 EN60079 GB3836 GB12476 CCS入级规范 (CCS standard)
◆ 额定电压 Rated voltage	220V / 230V AC 50Hz(60Hz请注明 please note)
◆ 温度范围 Temperature range	-25℃~+55℃
◆ 额定功率 Rated power	400W
光源类型 Light source	金卤灯(L) Metal halide lamp 高压钠灯(N) High-pressure sodium lamp
灯具功率 Power of lamp	
◆ 灯座 Lamp holder	E40
◆ 防护等级 Degree of protection	IP66
◆ 防腐等级 Corrosion-proof	WF2
◆ 进线规格 Cable entry	2×M25×1.5
◆ 接线端子 Terminal	3×2.5mm ²

配光性能 Photometric data

 cd/1000lm
 — c 0 / 180
 — c 90 / 270


外形及安装举例 Outline dimension



选配表 Selection table

型号 Model	额定功率(W) Rated power	重量(kg) Weight	型号 Model	额定功率(W) Rated power	重量(kg) Weight
BAD61-L400X	400	20.0	BAD61-N400X	400	21.6
BAD61-L400B	400	22.6	BAD61-N400B	400	23.2
BAD61-L400L	400	21.1	BAD61-N400L	400	21.7

- ◆ 如需其他安装方式, 订货时请注明;
- ◆ 本灯具出厂时不配光源, 由用户自配, 建议配置飞利浦、欧司朗、亚明品牌, 金卤灯400W需配置欧标光源;
- ◆ 灯具出厂时配防爆堵头, 若用户需要防爆电缆夹紧密封接头, 请参照P3/173~178页选型。
- ◆ If other mounting types needed, please specify when ordering;
- ◆ The light source will be supplied by user, Philips, Osram, Yamin brand are recommended, metal halide lamp 400W should be provided with light source compliance with European standard;
- ◆ The light fitting is supplied with Ex plug, if Ex cable gland is needed, please select according page P3/173~178.

BDD91 系列防爆灯(IIC)

BDD91 Series Explosion-proof Light Fittings

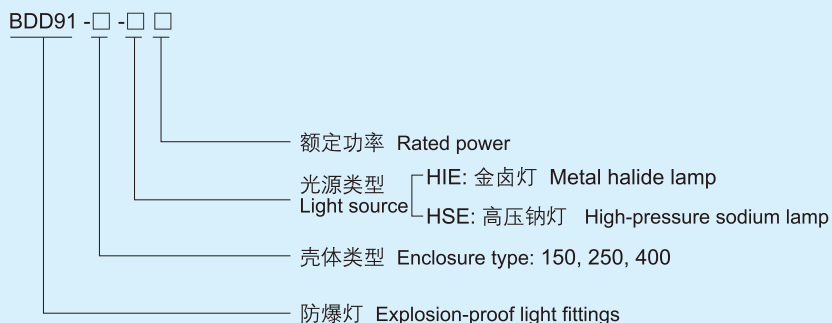


2

应用场所 Application

- ◆ 广泛应用于海洋工程各类作业平台、各类化学品、天然气运输船、危险品码头等危险区域工作及场景照明之用；
- ◆ 可在潮湿、振动、腐蚀等恶劣环境中可靠工作；
- ◆ 适用于爆炸性危险环境1区、2区、21区、22区等场所。
- ◆ Widely used for lighting on platforms, various types of chemical and natural gas carriers, terminals, dangerous goods docks, etc.;
- ◆ Can reliably work in severe environment where is easily affected by moisture, vibration, or corrosion;
- ◆ Explosive hazardous atmosphere zone 1, zone 2, zone 21, zone 22.

型号含义 Catalogue Number Logic



产品特性 Features

- ◆ 外壳采用海工专用铝合金压铸成型，表面高压静电喷塑；
- ◆ 透明罩采用钢化玻璃，棱晶防眩光设计；
- ◆ 纯铝反光罩，表面阳极氧化处理；
- ◆ 一体式结构，内置电感镇流器，功率因数 $\cos \phi \geq 0.90$ 。
- ◆ Enclosure is of maritime special aluminum alloy, powder coated surface;
- ◆ Toughened glass transparent cover, anti-glare;
- ◆ Reflector is of pure aluminum, anodizing treatment for the surface;
- ◆ Integrated structure built-in inductive ballast, power factor $\cos \phi \geq 0.90$.



独特的调节机构，用户可根据需求调节
灯具照射角度

Unique adjustment mechanism can be adjusted according to user needs

Zones 1&2 ; 21&22

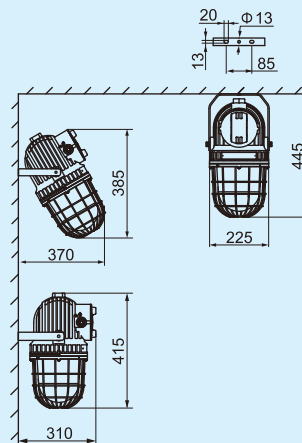
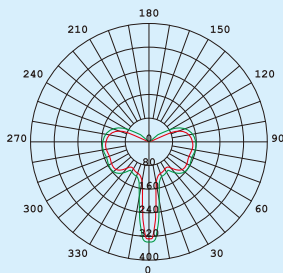
技术参数 Technical parameters

◆ 防爆标志 Ex-Mark	Ⓜ II 2 G Ex d IIC T4(T142°C) Gb Ⓜ II 2 D Ex t IIIC T130°C(T142°C) Db IP66
◆ 执行标准 Compliance	IEC60079 EN60079 CCS入级规范 (CCS standard)
◆ 产品证书 Certificate	DNV 11 ATEX 05977X; IECEx CQM 12.0016X; GOST.R
◆ 额定电压 Rated voltage	220V~240V AC 50Hz(60Hz请注明 please note)
◆ 温度范围 Temperature range	-60°C~+55°C
◆ 额定功率 Rated power	
光源类型 Light source	金卤灯(HIE) Metal halide lamp
灯具功率 Power of lamp	70W 100W 150W
	高压钠灯(HSE) High-pressure sodium lamp
	70W 100W
◆ 灯座 Lamp holder	E27
◆ 防护等级 Degree of protection	IP66
◆ 防腐等级 Corrosion-proof	WF2
◆ 进线规格 Cable entry	2×M25×1.5
◆ 接线端子 Terminal	3×1.5~4mm ²

配光性能 Photometric data

外形及安装举例 Outline dimension

cd/1000lm

 — c 0 / 180
 — c 90 / 270


选配表 selection table

型号 Model	光源 Light source	额定功率(W) Rated power	重量(kg) Weight	气体防爆型式 Gas explosion protection	粉尘防爆型式 Dust explosion protection
BDD91-150	HIE	70, 100	11.20	Ⓜ II 2 G Ex d IIC T4 Gb	Ⓜ II 2 D Ex t IIIC T130°C Db IP66
	HSE	70, 100	11.20		
	HIE	150	11.20	Ⓜ II 2 G Ex d IIC T142°C Gb	Ⓜ II 2 D Ex t IIIC T142°C Db IP66

- ◆ 如需其他安装方式, 订货时请注明;
- ◆ 本灯具出厂时不配光源, 由用户自配, 建议配置飞利浦、欧司朗、亚明品牌;
- ◆ 灯具出厂时配防爆堵头, 若用户需要防爆电缆夹紧固密封接头, 请参照P3/173~178页选型。
- ◆ If other mounting types needed, please specify when ordering
- ◆ The light source will be supplied by user, Philips, Osram, Yamin brand are recommended;
- ◆ The light fitting is supplied with Ex plug, if Ex cable gland is needed, please select according page P3/173~178.

BDD91 系列防爆灯(IIC)

BDD91 Series Explosion-proof Light Fittings

技术参数 Technical parameters

◆ 防爆标志 Ex-Mark	Ⓔ II 2 G Ex d IIC T3 Gb Ⓔ II 2 D Ex t IIIC T190°C Db IP66
◆ 执行标准 Compliance	IEC60079 EN60079 CCS入级规范 (CCS standard)
◆ 产品证书 Certificate	DNV 11 ATEX 06159X; IECEx CQM 12.0016X; GOST.R
◆ 额定电压 Rated voltage	220V~240V AC 50Hz(60Hz请注明 please note)
◆ 温度范围 Temperature range	-60°C~+55°C
◆ 额定功率 Rated power	
光源类型 Light source	金卤灯(HIE) Metal halide lamp
灯具功率 Power of lamp	高压钠灯(HSE) High-pressure sodium lamp
	250W
	150W 250W
◆ 灯座 Lamp holder	E40
◆ 防护等级 Degree of protection	IP66
◆ 防腐等级 Corrosion-proof	WF2
◆ 进线规格 Cable entry	2×M25×1.5
◆ 接线端子 Terminal	3×1.5~4mm ²

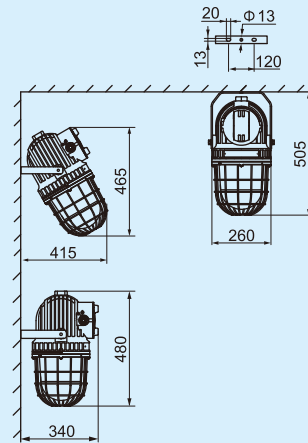
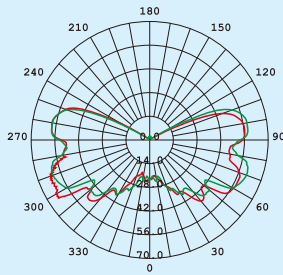
2

配光性能 Photometric data

外形及安装举例 Outline dimension

cd/1000lm

— c 0 / 180
— c 90 / 270



选配表 Selection table

型号 Model	光源 Light source	额定功率(W) Rated power	重量(kg) Weight	气体防爆型式 Gas explosion protection	粉尘防爆型式 Dust explosion protection
BDD91-250	HIE	250	14.80	Ⓔ II 2 G Ex d IIC T3 Gb	Ⓔ II 2 D Ex t IIIC T190°C Db IP66
	HSE	150, 250	14.80		

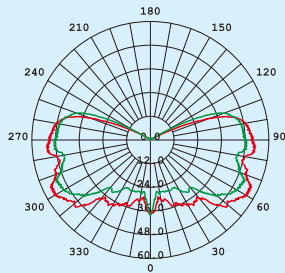
- ◆ 如需其他安装方式，订货时请注明；
- ◆ 本灯具出厂时不配光源，由用户自配，建议配置飞利浦、欧司朗、亚明品牌，金卤灯250W需配置欧标光源；
- ◆ 灯具出厂时配防爆堵头，若用户需要防爆电缆夹紧密封接头，请参照P3/173~178页选型。
- ◆ If other mounting types needed, please specify when ordering
- ◆ The light source will be supplied by user, Philips, Osram, Yamin brand are recommended, 250W metal halide lamp should be supplied with light source compliance with European standard;
- ◆ The light fitting is supplied with Ex plug, if Ex cable gland is needed, please select according page P3/173~178.

技术参数 Technical parameters

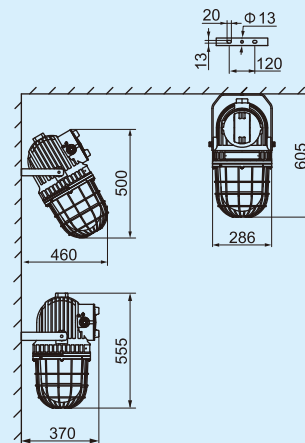
◆ 防爆标志 Ex-Mark	Ex II 2 G Ex d IIC T3 Gb Ex II 2 D Ex t IIIIC T190°C Db IP66
◆ 执行标准 Compliance	IEC60079 EN60079 CCS入级规范 (CCS standard)
◆ 产品证书 Certificate	DNV 11 ATEX 06160X; IECEx CQM 12.0016X; GOST.R
◆ 额定电压 Rated voltage	220V~240V AC 50Hz(60Hz请注明 please note)
◆ 温度范围 Temperature range	-60°C~+55°C
◆ 额定功率 Rated power	金卤灯(HIE) Metal halide lamp 高压钠灯(HSE) High-pressure sodium lamp
光源类型 Light source	400W
灯具功率 Power of lamp	
◆ 灯座 Lamp holder	E40
◆ 防护等级 Degree of protection	IP66
◆ 防腐等级 Corrosion-proof	WF2
◆ 进线规格 Cable entry	2×M25×1.5
◆ 接线端子 Terminal	3×1.5~4mm ²

配光性能 Photometric data

cd/1000lm
 — c 0 / 180
 — c 90 / 270



外形及安装举例 Outline dimension



选配表 Selection table

型号 Model	光源 Light source	额定功率(W) Rated power	重量(kg) Weight	气体防爆型式 Gas explosion protection	粉尘防爆型式 Dust explosion protection
BDD91-400	HIE	400	16.70	Ex II 2 G Ex d IIC T3 Gb	Ex II 2 D Ex t IIIIC T190°C Db IP66
	HSE	400	16.70		

- ◆ 如需其他安装方式, 订货时请注明;
- ◆ 本灯具出厂时不配光源, 由用户自配, 建议配置飞利浦、欧司朗、亚明品牌, 金卤灯400W需配置欧标光源;
- ◆ 灯具出厂时配防爆堵头, 若用户需要防爆电缆夹密封接头, 请参照P3/173~178页选型。
- ◆ If other mounting types needed, please specify when ordering
- ◆ The light source will be supplied by user, Philips, Osram, Yamin brand are recommended, 400W metal halide lamp should be supplied with light source compliance with European standard;
- ◆ The light fitting is supplied with Ex plug, if Ex cable gland is needed, please select according page P3/173~178.

BnD81 系列"n"型防爆灯(nR)

BnD81 Series Explosion-proof "n" Type Light Fittings

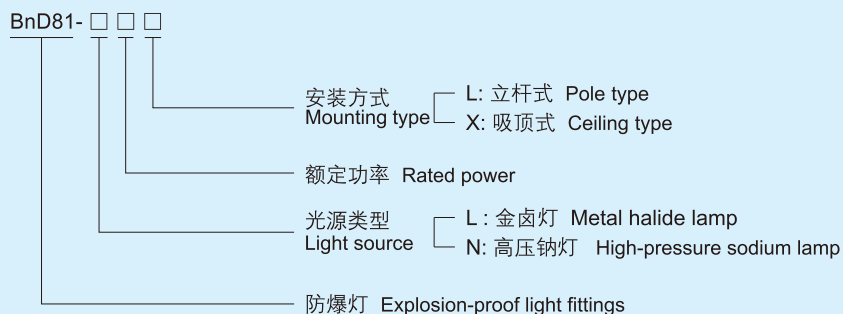


2

应用场所 Application

- ◆ 广泛应用于海洋工程各类作业平台、各类化学品、天然气运输船、危险品码头等危险区域作工作及场景照明之用；
- ◆ 可在潮湿、振动、腐蚀等恶劣环境中可靠工作；
- ◆ 适用于爆炸性危险环境2区、20区、21区、22区等场所。
- ◆ Widely used for lighting on platforms, various types of chemical and natural gas carriers, terminals, dangerous goods docks, etc.;
- ◆ Can reliably work in severe environment where is easily affected by moisture, vibration, or corrosion;
- ◆ Explosive hazardous atmosphere zone 2, zone 20, zone 21, zone 22.

型号含义 Catalogue Number Logic



产品特性 Features

- ◆ 产品外壳采用海工专用铝合金压铸成型，表面高压静电喷塑；
- ◆ 钢化玻璃透明罩，抗4J冲击，棱晶防眩光；
- ◆ 高纯铝反射器，阳极氧化处理，反射效率高；
- ◆ 一体式结构，内装电感镇流器，功率因数 $\cos \phi \geq 0.90$ 。
- ◆ Enclosure is of maritime special aluminum alloy, powder coated surface;
- ◆ Toughened glass transparent cover, stands 4J impact, anti-glare;
- ◆ Reflector is of pure aluminum, anodizing treatment for the surface, with high reflectivity;
- ◆ Integrated structure built-in inductive ballast, power factor $\cos \phi \geq 0.90$.



设置了方便开启的合页，方便用户检修
Hinged structure, easy to open and overhaul

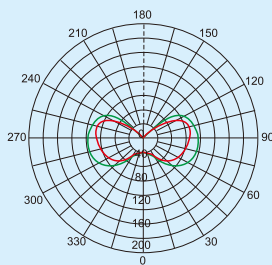
Zones 2 ; 20&21&22

技术参数 Technical parameters

◆ 防爆标志 Ex-Mark	ExnR IIC T4 Gb / DIP A20 TA, T4
◆ 执行标准 Compliance	IEC60079 EN60079 GB3836 GB12476 CCS入级规范 (CCS standard)
◆ 额定电压 Rated voltage	220V / 230V AC 50Hz(60Hz请注明 please note)
◆ 温度范围 Temperature range	-25°C~+55°C
◆ 额定功率 Rated power	
光源类型 Light source	金卤灯(L) Metal halide lamp 高压钠灯(N) High-pressure sodium lamp
灯具功率 Power of lamp	70W 100 150W 70W 100W
◆ 灯座 Lamp holder	E27
◆ 防护等级 Degree of protection	IP66 *IP67
◆ 防腐等级 Corrosion-proof	WF2
◆ 进线规格 Cable entry	2×M25×1.5
◆ 接线端子 Terminal	3×2.5mm ²

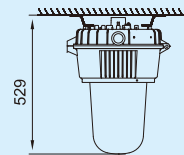
配光性能 Photometric data

cd/1000lm
— c 0 / 180
— c 90 / 270

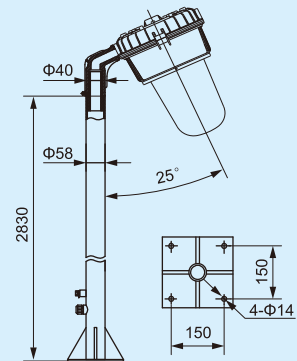


外形及安装举例 Outline dimension

X: 吸顶式
ceiling type



L: 立杆式 (立杆由用户配置)
pole type (the pole is provided by user)



选配表 Selection table

型号 Model	额定功率(W) Rated power	重量(kg) Weight	型号 Model	额定功率(W) Rated power	重量 Weight
BnD81-L70	70	4.3	BnD81-N70	70	4.3
BnD81-L100	100	4.8	BnD81-N100	100	4.8
BnD81-L150	150	6.2			

- ◆ 如需其他安装方式, 订货时请注明;
- ◆ 本灯具出厂时不配光源, 由用户自配, 建议配置飞利浦、欧司朗、亚明品牌;
- ◆ 灯具出厂时配防爆堵头, 若用户需要防爆电缆夹紧密接头, 请参照P3/169~172页选型。
- ◆ 本型号产品有ATEX证书, 如需要, 订货时请注明。

- ◆ If other mounting types needed, please specify when ordering
- ◆ The light source will be supplied by user, Philips, Osram, Yamin brand are recommended;
- ◆ The light fitting is supplied with Ex plug, if Ex cable gland is needed, please select according page P3/169~172.
- ◆ The product is approved by ATEX, the certificate is available upon request.

BnD81 系列"n"型防爆灯(nR)

BnD81 Series Explosion-proof "n" Type Light Fittings

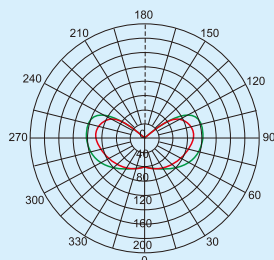
技术参数 Technical parameters

◆ 防爆标志 Ex-Mark	ExnR IIC T4 Gb / DIP A20 TA, T4	
◆ 执行标准 Compliance	IEC60079 EN60079 GB3836 GB12476 CCS入级规范 (CCS standard)	
◆ 额定电压 Rated voltage	220V / 230V AC 50Hz(60Hz请注明 please note)	
◆ 温度范围 Temperature range	-25°C~+55°C	
◆ 额定功率 Rated power		
光源类型 Light source	金卤灯(L) Metal halide lamp	高压钠灯(N) High-pressure sodium lamp
灯具功率 Power of lamp	250W	150W 250W
◆ 灯座 Lamp holder	E40	
◆ 防护等级 Degree of protection	IP66 *IP67	
◆ 防腐等级 Corrosion-proof	WF2	
◆ 进线规格 Cable entry	2×M25×1.5	
◆ 接线端子 Terminal	3×2.5mm ²	

配光性能 Photometric data

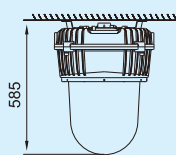
cd/1000lm

— c 0 / 180
— c 90 / 270

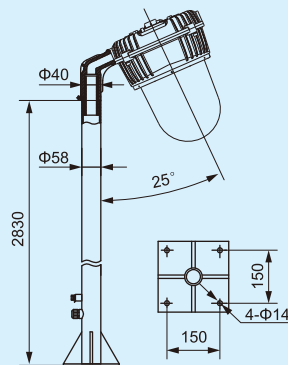


外形及安装举例 Outline dimension

X: 吸顶式
ceiling type



L: 立杆式 (立杆由用户配置)
pole type (the pole is provided by user)



选配表 Selection table

型号 Model	额定功率(W) Rated power	重量(kg) Weight	型号 Model	额定功率(W) Rated power	重量 Weight
BnD81-L250	250	11.3	BnD81-N150	150	11.3
			BnD81-N250	250	13.1

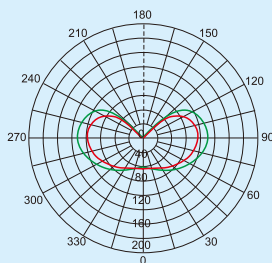
- ◆ 如需其他安装方式, 订货时请注明;
- ◆ 本灯具出厂时不配光源, 由用户自配, 建议配置飞利浦、欧司朗、亚明品牌, 金卤灯250W需配置欧标光源;
- ◆ 灯具出厂时配防爆堵头, 若用户需要防爆电缆夹紧密接头, 请参照P3/169~172页选型;
- ◆ 本型号产品有ATEX证书, 如需要, 订货时请注明。
- ◆ If other mounting types needed, please specify when ordering
- ◆ The light source will be supplied by user, Philips, Osram, Yamin brand are recommended, 250W metal halide lamp should be supplied with light source compliance with European standard;
- ◆ The light fitting is supplied with Ex plug, if Ex cable gland is needed, please select according page P3/169~172;
- ◆ The product is approved by ATEX, the certificate is available upon request.

技术参数 Technical parameters

◆ 防爆标志 Ex-Mark	ExnR IIC T3 Gb / DIP A20 TA, T3
◆ 执行标准 Compliance	IEC60079 EN60079 GB3836 GB12476 CCS入级规范 (CCS standard)
◆ 额定电压 Rated voltage	220V / 230V AC 50Hz(60Hz请注明 please note)
◆ 温度范围 Temperature range	-25°C~+55°C
◆ 额定功率 Rated power	400W
光源类型 Light source	金卤灯(L) Metal halide lamp 高压钠灯(N) High-pressure sodium lamp
灯具功率 Power of lamp	400W
◆ 灯座 Lamp holder	E40
◆ 防护等级 Degree of protection	IP66 *IP67
◆ 防腐等级 Corrosion-proof	WF2
◆ 进线规格 Cable entry	2×M25×1.5
◆ 接线端子 Terminal	3×2.5mm ²

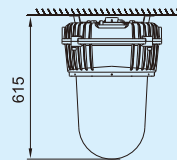
配光性能 Photometric data

cd/1000lm
— c 0 / 180
— c 90 / 270

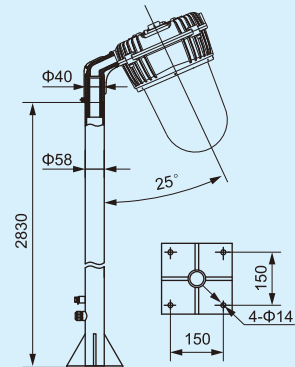


外形及安装举例 Outline dimension

X: 吸顶式
ceiling type



L: 立杆式 (立杆由用户配置)
pole type (the pole is provided by user)



选配表 Selection table

型号 Model	额定功率(W) Rated power	重量(kg) Weight	型号 Model	额定功率(W) Rated power	重量 Weight
BnD81-L400	400	13.3	BnD81-N400	400	14.7

- ◆ 如需其他安装方式, 订货时请注明;
- ◆ 本灯具出厂时不配光源, 由用户自配, 建议配置飞利浦、欧司朗、亚明品牌, 金卤灯400W需配置欧标光源;
- ◆ 灯具出厂时配防爆堵头, 若用户需要防爆电缆夹紧密接头, 请参照P3/169~172页选型;
- ◆ 本型号产品有ATEX证书, 如需要, 订货时请注明。
- ◆ If other mounting types needed, please specify when ordering
- ◆ The light source will be supplied by user, Philips, Osram, Yamin brand are recommended, 400W metal halide lamp should be supplied with light source compliance with European standard;
- ◆ The light fitting is supplied with Ex plug, if Ex cable gland is needed, please select according page P3/169~172;
- ◆ The product is approved by ATEX, the certificate is available upon request.

BAD85-M 系列防爆高效节能LED灯(IIC)

BAD85-M Series Explosion-proof Efficient And Energy-saving LED Lamps

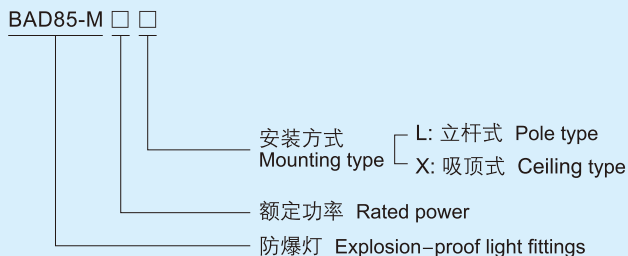


2

应用场所 Application

- ◆ 广泛应用于海洋工程各类作业平台、各类化学品、天然气运输船、危险品码头等危险区域作工作及场景照明之用；
- ◆ 可在潮湿、振动、腐蚀等恶劣环境中可靠工作；
- ◆ 适用于爆炸性危险环境1区、2区、20区、21区、22区等场所。
- ◆ Widely used for lighting on platforms, various types of chemical and natural gas carriers, terminals, dangerous goods docks, etc.;
- ◆ Can reliably work in severe environment where is easily affected by moisture, vibration, or corrosion;
- ◆ Explosive hazardous atmosphere zone 1, zone 2, zone 20, zone 21, zone 22.

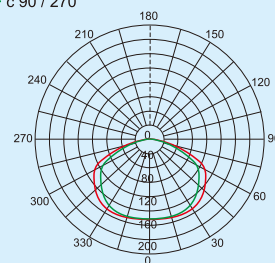
型号含义 Catalogue Number Logic



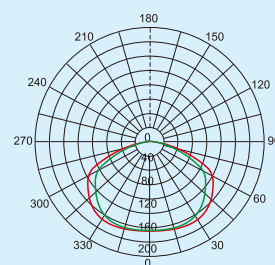
配光性能 Photometric data

cd/1000lm

— c 0 / 180
— c 90 / 270



30W

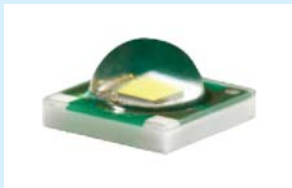


70W

Zones 1&2 ; 20&21&22

产品特性

- ◆ 海工专用铝合金压铸壳体，表面高压静电喷塑；
- ◆ 钢化玻璃透明罩，雾化防眩光设计，抗4J高能量冲击，抗热聚变，透光率高达90%；
- ◆ 纯隔爆结构，止口隔爆及螺纹隔爆形式，防爆性能更可靠；
- ◆ 光源腔、电源腔、接线腔三腔分离结构，采用间接引入方式，设有独立的接线腔；
- ◆ 特制的恒流恒压电源，宽电压输入，恒功率输出，具有恒流、开路保护、短路保护等功能；
- ◆ 高功率因数， $\cos \phi \geq 0.98$ 。
- ◆ The product is of maritime special cast aluminum alloy, powder coated surface
- ◆ Borosilicate toughened glass transparent cover, anti-glare, standards 4J impact, anti-heat upheaval, light transmission rate up to 90%;
- ◆ Pure flameproof structure, flameproof thread, ex-proof performance more reliable;
- ◆ Light source chamber, power chamber, and wiring chamber are separated, introduced indirectly, with separate wiring chamber;
- ◆ Specially designed constant current constant voltage power supply, wide voltage input, constant power output, with constant current, open circuit protection, short circuit protection function;
- ◆ High power factor, $\cos \phi \geq 0.98$;



- ◆ 配置多颗国际品牌LED模块，单向发光，光线均匀柔和，显色性高，寿命长
- ◆ Multiple international brand LED modules, reasonable arranged, one-way light, light is uniform and soft, color rendering high, long life



- ◆ 出线套和灯体之间采用无线连接，安装和维修非常方便
- ◆ Wireless connection between the outlet cover and light body, very easy for installation and maintenance



- ◆ 专利柱状散热结构，设置了空气对流孔，有效散发光源腔的热量，确保灯具长寿命的工作
- ◆ Patented columnar cooling structure, air convection holes designed between the light source chamber and power chamber, use air flow to effectively dissipate heat in light source chamber to ensure long lamp life

选配表 Selection table

型号 Model	额定功率(W) Rated power	重量(kg) Weight	型号 Model	额定功率(W) Rated power	重量(kg) Weight
BAD85-M20X	20	2.1	BAD85-M20L	20	2.7
BAD85-M30X	30	2.1	BAD85-M30L	30	2.7
BAD85-M50X	50	2.8	BAD85-M50L	50	3.5
BAD85-M70X	70	2.8	BAD85-M70L	70	3.5

- ◆ 如需其他安装方式，订货时请注明；
- ◆ 灯具出厂时配防爆堵头，若用户需要防爆电缆夹密封胶接头，请参照P3/173~178页选型。
- ◆ If other mounting types needed, please specify when ordering;
- ◆ The lamp is supplied with Ex plug, if Ex sealing connector is required, please select according to page P3/173~178.

BAD85-M 系列防爆高效节能LED灯(IIC)

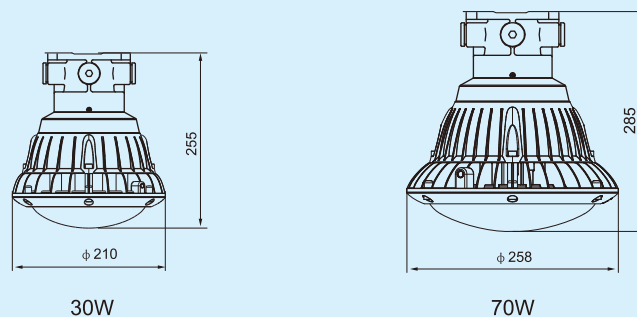
BAD85-M Series Explosion-proof Efficient And Energy-saving LED Lamps

技术参数 Technical parameters

◆ 防爆标志 Ex-Mark	Exd IIC T6 Gb / DIP A20 TA, T6
◆ 执行标准 Compliance	IEC60079 EN60079 GB3836 GB12476 CCS入级规范 (CCS standard)
◆ 产品证书 Certificate	CE12.1162(30W); CE12.1161(70W)
◆ 额定电压 Rated voltage	220V~240V AC 50Hz / 60Hz
◆ 温度范围 Temperature range	-25°C~+55°C
◆ 额定功率 Rated power	
光源类型 Light source	LED
灯具功率 Power of lamp	20W 30W 50W 70W
◆ 防护等级 Degree of protection	IP66
◆ 防腐等级 Corrosion-proof	WF2
◆ 进线规格 Cable entry	2×M25×1.5
◆ 接线端子 Terminal	3×2.5mm ²

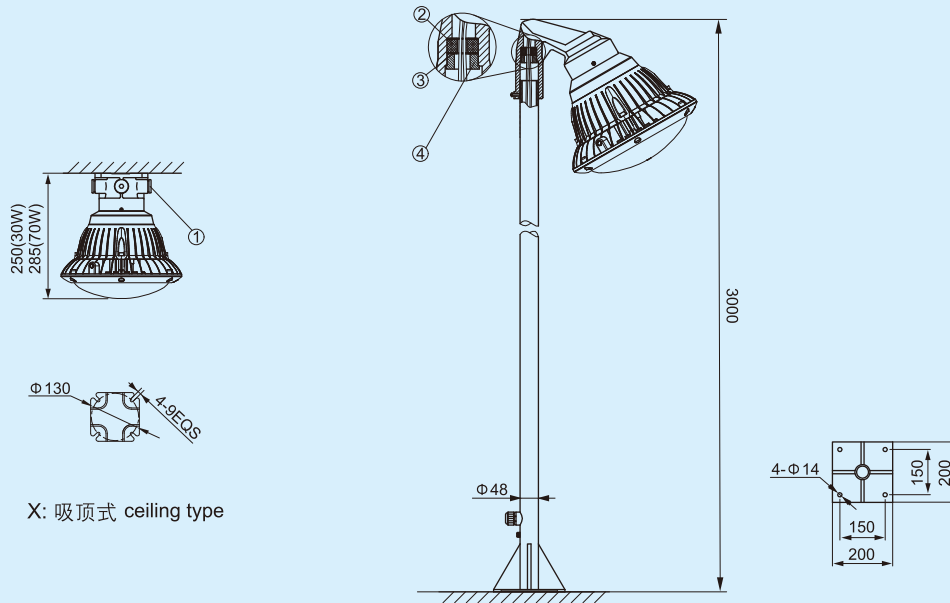
2

外形尺寸 Outline dimension



安装方案举例 (尺寸单位为mm) Mounting type (dimensions in mm)

用户可参考下列安装方式并根据适用现场情况进行安装 Installation reference



X: 吸顶式 ceiling type

L: 立杆式 (立杆由用户配置)
pole type (the pole is provided by user)

安装附件和备件表 Mounting accessories and spare parts table

按照用户订货选择的安装方式, 供货将提供以下安装配件 Supplied according to the mounting type

安装方式 Mounting type	附件 Accessories			重量(kg) Weight
	名称 Name	数量 Qty	说明 Illustration	
X: 吸顶式 ceiling type	①.4x M25x 1.5堵头 plug	1	海工专用铝合金 maritime special aluminum alloy	0.05
L: 立杆式 pole type	②.密封圈 sealing ring	1	橡胶 rubber	-
	③.垫圈 washer	2	碳钢, 镀锌 carbon steel, zinc coated	-
	④.锁紧螺钉 locking screw	1	不锈钢 stainless steel	-

注: 表中无配置的附件, 需用户自行配置。

Note: Accessories not in the table shall be supplied by user.

BAX81 系列防爆灯(IIC)

BAX81 Series Explosion-proof Light Fittings

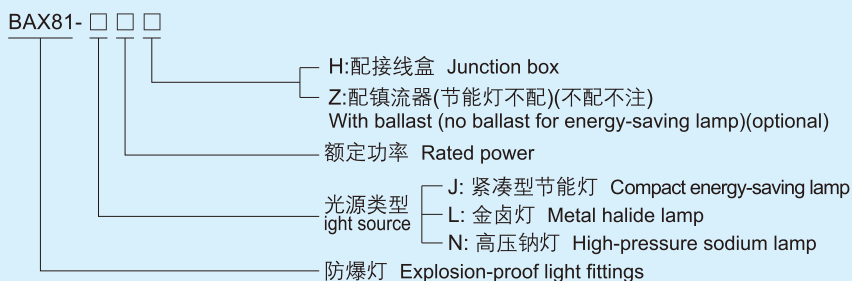


2

应用场所 Application

- ◆ 广泛应用于海洋工程各类作业平台、各类化学品、天然气运输船、危险品码头等危险区域作工作及场景照明之用；
- ◆ 可在潮湿、振动、腐蚀等恶劣环境中可靠工作；
- ◆ 适用于爆炸性危险环境1区、2区、20区、21区、22区等场所。
- ◆ Widely used for lighting on platforms, various types of chemical and natural gas carriers, terminals, dangerous goods docks, etc.;
- ◆ Can reliably work in severe environment where is easily affected by moisture, vibration, or corrosion;
- ◆ Explosive hazardous atmosphere zone 1, zone 2 zone 20, zone 21, zone 22 .

型号含义 Catalogue Number Logic



产品特性 Features

- ◆ 海工专用铝合金压铸成型，表面高压静电喷塑；
- ◆ 钢化玻璃透明罩；
- ◆ 专业光学软件设计的二次配光系统，光束分配合理，照度均匀，反射效率、利用效率高；
- ◆ 气体放电灯配防爆电感镇流器，功率因数 $\cos \phi \geq 0.90$ 。
- ◆ Enclosure is of maritime special aluminum alloy, powder coated surface;
- ◆ Toughened glass transparent cover;
- ◆ Secondary light distribution system designed by professional optical design software, with reasonable light distribution, uniform illumination, high reflectivity, high utilization;
- ◆ The gas discharge lamp is designed with inductive ballast , power factor $\cos \phi \geq 0.90$.



优化的检修操作设计，设置侧开盖结构，便于用户更换光源

The cover is designed at side, convenient for maintenance and replacement of light source

Zones 1&2 ; 20&21&22

技术参数 Technical parameters

◆ 防爆标志 Ex-Mark

Exd IIC T4 Gb / DIP A20 TA, T4

Exd IIC T6 Gb /
DIP A20 TA, T6

◆ 执行标准 Compliance

IEC60079 EN60079 GB3836 GB12476 CCS入级规范 (CCS standard)

◆ 额定电压 Rated voltage

220V / 230V AC 50Hz(60Hz请注明 please note)

◆ 温度范围 Temperature range

-25℃~+55℃

◆ 额定功率 Rated power

光源类型 Light source

灯具功率 Power of lamp

金卤灯(L) Metal halide lamp	高压钠灯(N) High-pressure sodium lamp	节能灯 Energy-saving lamp
250W	150W 250W	22W

◆ 防护等级 Degree of protection

IP66 *IP67

◆ 防腐等级 Corrosion-proof

WF2

◆ 进线规格 Cable entry

2×M25×1.5

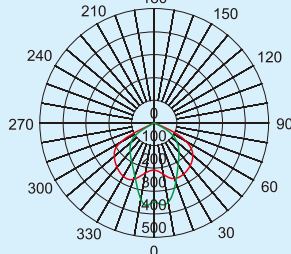
◆ 接线端子 Terminal

3×2.5mm²

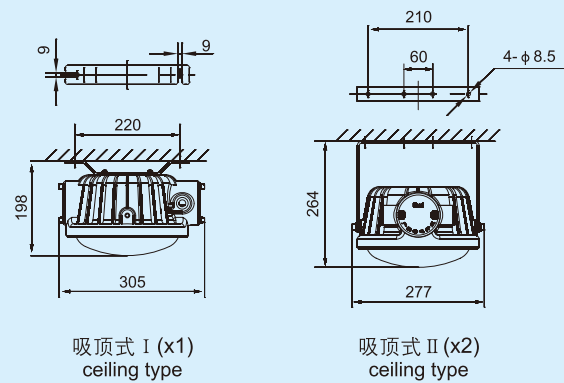
配光性能 Photometric data

cd/1000lm

— c 0 / 180
— c 90 / 270



外形尺寸 Outline dimension



选配表 Selection table

型号 Model	额定功率(W) Rated power	重量(kg) Weight	型号 Model	额定功率(W) Rated power	重量(kg) Weight
BAX81-L70	70	5.0	BAX81-N70	70	5.0
BAX81-L100	100	5.0	BAX81-N100	100	5.0
BAX81-L150	150	5.0	BAX81-N150	150	5.0
			BAX81-J22	22	5.0

- ◆ 如需其他安装方式, 订货时请注明;
- ◆ 本灯具出厂时不配光源, 由用户自配, 建议配置飞利浦、欧司朗、亚明品牌;
- ◆ 灯具出厂时配防爆堵头, 若用户需要防爆电缆夹密封接头, 请参照P3/173~178页选型。
- ◆ If other mounting types needed, please specify when ordering
- ◆ The light source will be supplied by user, Philips, Osram, Yamin brand are recommended;
- ◆ The light fitting is supplied with Ex plug, if Ex cable gland is needed, please select according page P3/173~178.

BAX85 系列防爆LED灯(IIC)

BAX85 Series Explosion-proof LED Lamps



2

应用场所 Application

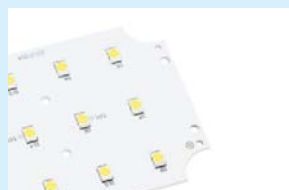
- ◆ 广泛应用于海洋工程各类作业平台、各类化学品、天然气运输船、危险品码头等危险区域作工作及场景照明之用；
- ◆ 可在潮湿、振动、腐蚀等恶劣环境中可靠工作；
- ◆ 适用于爆炸性危险环境1区、2区、20区、21区、22区等场所。
- ◆ Widely used for lighting on platforms, various types of chemical and natural gas carriers, terminals, dangerous goods docks, etc.;
- ◆ Can reliably work in severe environment where is easily affected by moisture, vibration, or corrosion;
- ◆ Explosive hazardous atmosphere zone 1, zone 2 zone 20, zone 21, zone 22 .

型号含义 Catalogue Number Logic



产品特性 Features

- ◆ 海工专用铝合金压铸成型，表面高压静电喷塑；
- ◆ 光扩散钢化玻璃透明罩；
- ◆ 专用的控制装置，具有开路、短路等保护功能，功率因数 $\cos \phi \geq 0.95$ 。
- ◆ The product is of maritime special cast aluminum alloy, powder coated surface
- ◆ Transparent cover is of toughened glass
- ◆ Special control device, having functions like open circuit and short circuit protection, power factor $\cos \phi \geq 0.95$



国际品牌LED模块，长寿命、高光效，绿色环保
International-known LED module, with long life, high light efficiency, environmental protection



平台式护栏专用连接套
Platform fence type dedicated connection sleeve

Zones 1&2 ; 20&21&22

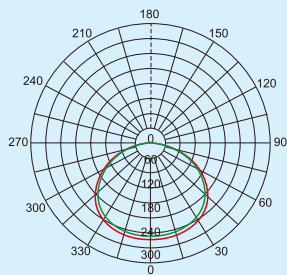
技术参数 Technical parameters

◆ 防爆标志 Ex-Mark	Exd IIC T6 Gb / DIP A20 TA, T6
◆ 执行标准 Compliance	IEC60079 EN60079 GB3836 GB12476 CCS入级规范 (CCS standard)
◆ 额定电压 Rated voltage	220V~240V AC 50Hz / 60Hz
◆ 温度范围 Temperature range	-25°C~+55°C
◆ 额定功率 Rated power	LED
光源类型 Light source	35W 45W 55W 65W
灯具功率 Power of lamp	
◆ 防护等级 Degree of protection	IP66 *IP67
◆ 防腐等级 Corrosion-proof	WF2
◆ 进线规格 Cable entry	2×M25×1.5
◆ 接线端子 Terminal	3×2.5mm ²

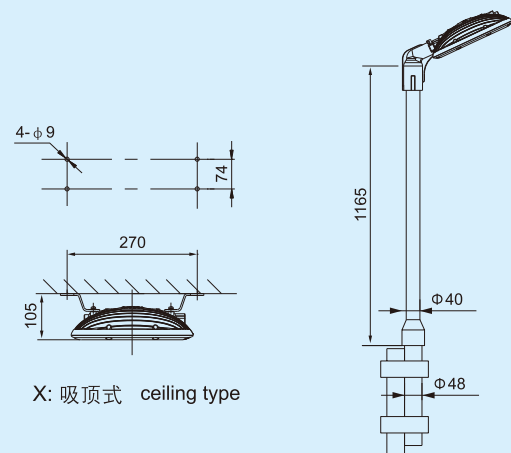
配光性能 Photometric data

cd/1000lm

— c 0 / 180
— c 90 / 270



外形尺寸 Outline dimension



X: 吸顶式 ceiling type

L: 立杆式 (立杆由用户配置)
pole type (the pole is provided by user)

选配表 Selection table

型号 Model	额定功率(W) Rated power	重量(kg) Weight	型号 Model	额定功率(W) Rated power	重量(kg) Weight
BAX85-35X	35	3.6	BAX85-35L	35	4.0
BAX85-45X	45	3.6	BAX85-45L	45	4.0
BAX85-55X	55	3.6	BAX85-55L	55	4.0
BAX85-65X	65	3.6	BAX85-65L	65	4.0

- ◆ 如需其他安装方式, 订货时请注明;
- ◆ 灯具出厂时配防爆堵头, 若用户需要防爆电缆夹紧密封接头, 请参照P3/173~178页选型。
- ◆ If other mounting types needed, please specify when ordering
- ◆ The light fitting is supplied with Ex plug, if Ex cable gland is needed, please select according page P3/173~178.